

AVIATION CONTROLLER RED

Model: LCMRO-G3-2W-OS1



FEATURES AND SPECIFICATIONS

- Powers and monitors multiple aviation devices.
- Facilitates remote diagnostics.
- Easily integrated into a SCADA system
- Supports equipment using IP addressing, dry contacts, or current monitoring methods.
- Supports SNMP and MODBUS data protocols.
- Each output and input have an OVP (Over Voltage Protection)
- Cabinet available in fiberglass or painted steel.

Rating

Input voltage 230Vac 50/60Hz

Mechanical

Weight 17lbs (7.11 Kg)

Dimensions (WxHxD) 13.8 x 11.9 x 6.3 in
(350.5 x 302 x 160 mm)

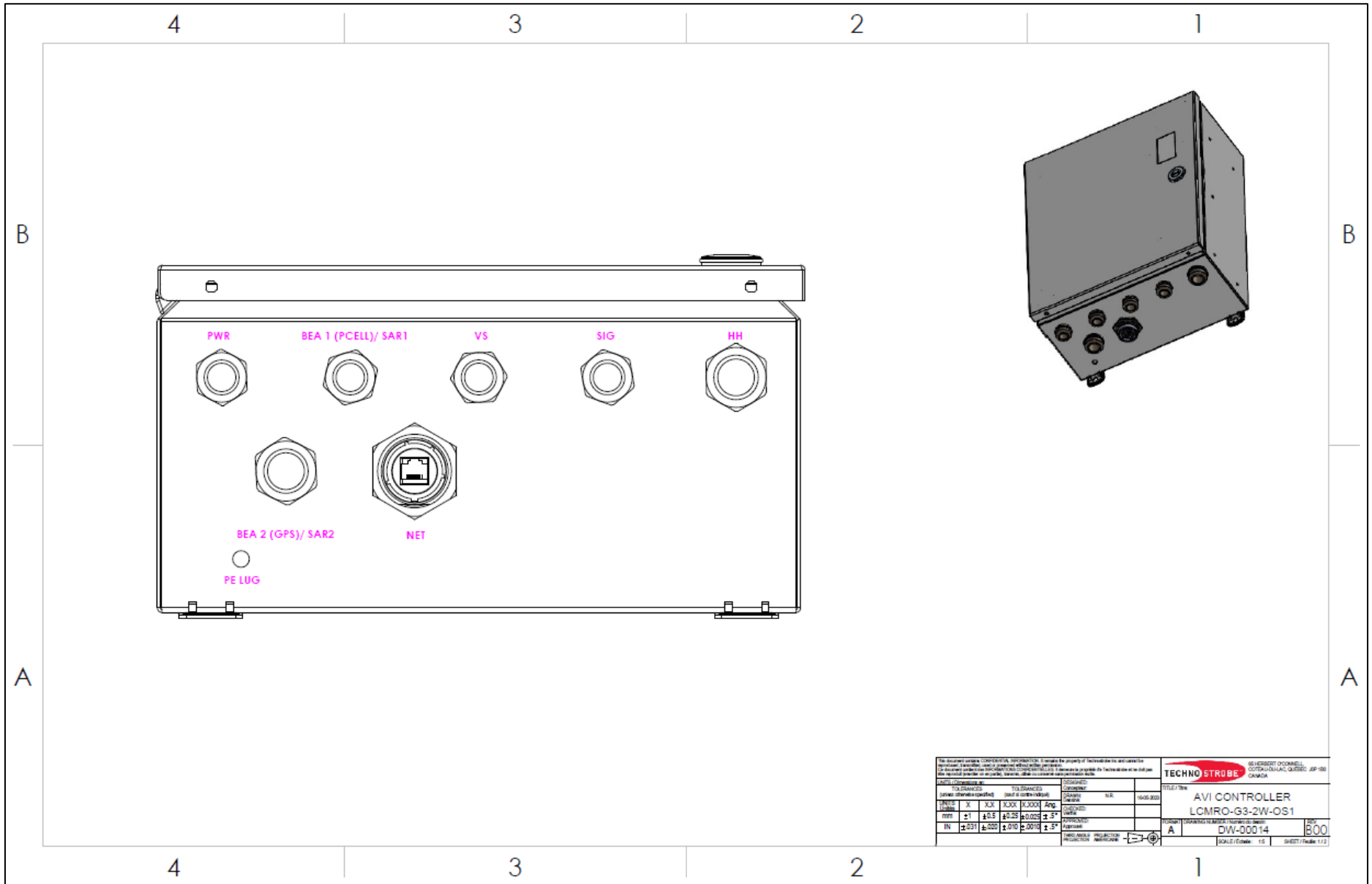
Compliances

- IP54
- IEC/EN 61000-6-4
- EN 60364
- UL508
- RoHS

Others

Operating temperature - 40°C to 55°C / -104°F to 131°F

Warranty 5 Years



<small>This document is a CONFIDENTIAL, PROPRIETARY document. It remains the property of Technostrobe Inc. and its subsidiaries. It is not to be distributed, copied, or used in any way without the prior written consent of Technostrobe Inc. or its subsidiaries. The recipient shall be held liable for any unauthorized use of this document.</small>					
<small>HERBERT O'CONNELL COTEAU-DU-LAC, QUÉBEC J0P 1B0 CANADA</small>				<small>DATE: 10/05/2023</small>	
<small>TO: ENGENEER</small>		<small>TO: MANAGER</small>		<small>CONTRACT</small>	
<small>PROJECT: LCMRO-G3-2W-OS1</small>		<small>DATE: 10/05/2023</small>		<small>NO: 1000-001</small>	
<small>DATE: 10/05/2023</small>		<small>DATE: 10/05/2023</small>		<small>DATE: 10/05/2023</small>	
<small>BY: [Signature]</small>		<small>BY: [Signature]</small>		<small>BY: [Signature]</small>	
<small>IN: 10/05/2023</small>		<small>IN: 10/05/2023</small>		<small>IN: 10/05/2023</small>	
<small>APPROVED: [Signature]</small>				<small>APPROVED: [Signature]</small>	
<small>SCALE: 1:1</small>				<small>SCALE: 1:1</small>	
<small>SCALE: 1:1</small>				<small>SCALE: 1:1</small>	